

FIRE PROTECTIVE CLOSURE

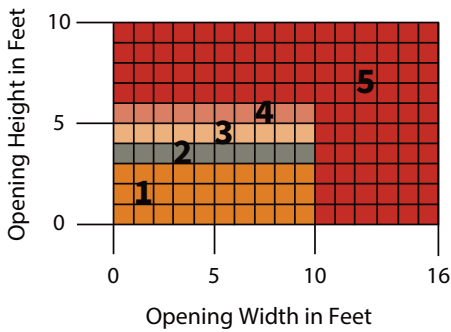
# FIRE RATED COUNTER DOOR

Models ERC10 & ERC 11 (SmokeShield®)

## MEASURE THE WIDTH AND HEIGHT OF THE OPENING

### DOOR SIZE AND AREA\*

The maximum limits listed in our UL procedure are for counter fire shutters up to 16'-0" wide, 10'-0" high or a 120 sq ft maximum. If the counter shutter is over 12' wide the limit is 7'6" high.

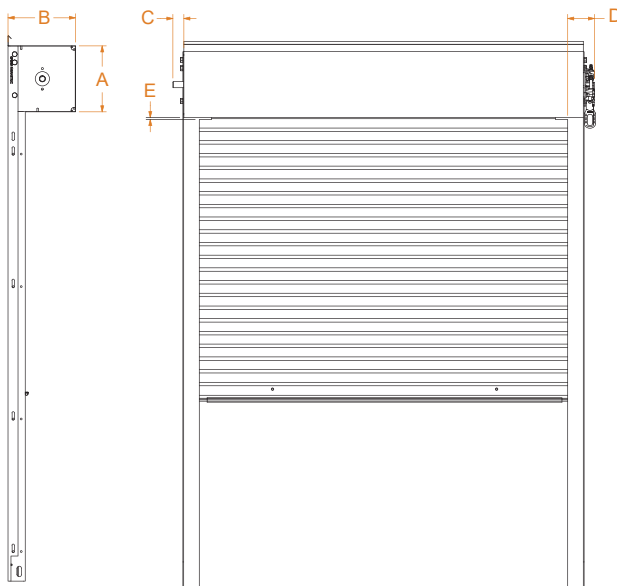


\*Chart based on 22 gauge steel slats.

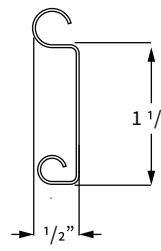
### COMPONENT DIMENSIONS

Reference the zone number to view component dimensions for in tube hand crank and tube motor-operated units. Alternate operation methods increase headroom and sideroom requirements. Upset (zone E) is calculated with a single angle bottom bar. Sensing edges add 1" of upset. Tubular bottom bars add 2.25" of upset.

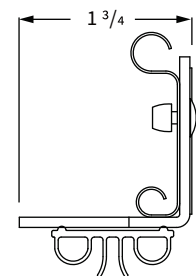
Zone	A	B	C	D	E
1	8.5	8	2	1.75	.25
2	9	8.5	2	1.75	.25
3	9.5	9	2	1.75	.25
4	10	9.5	2	1.75	.25
5	10.5-14.5	10-14	2	1.75	.25



### SLAT DESIGN



### ANGLE BOTTOM BAR



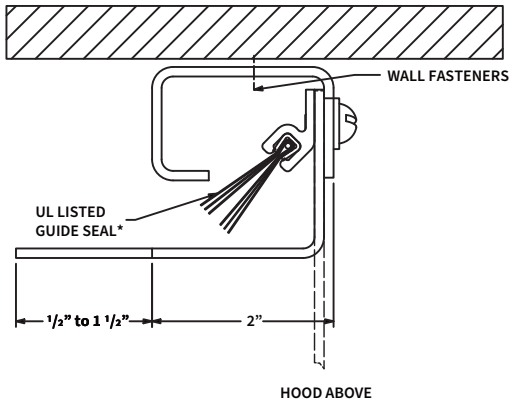
The details and dimensions on this sheet are provided as a rough guide for planning purposes. Project specific details and dimensions are available by generating drawings from our website: [www.cornelliron.com/drawings](http://www.cornelliron.com/drawings)

# FIRE PROTECTIVE CLOSURE **FIRE RATED COUNTER DOOR Models ERC10 & ERC11**

## GUIDE CONSTRUCTION OPTIONS

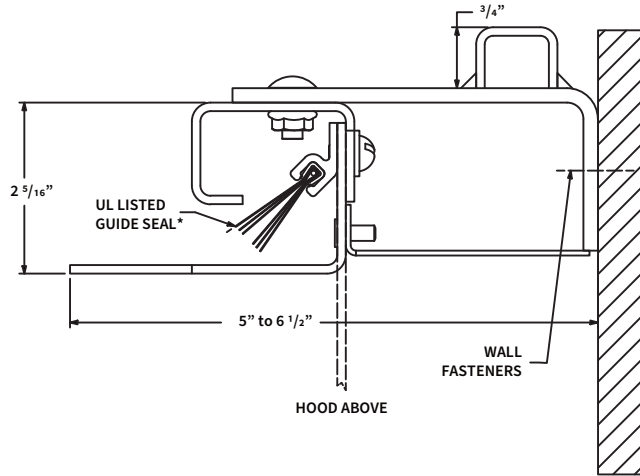
### 3" SHAFT FACE OF WALL

Guides are mounted to the interior or exterior side of the wall.



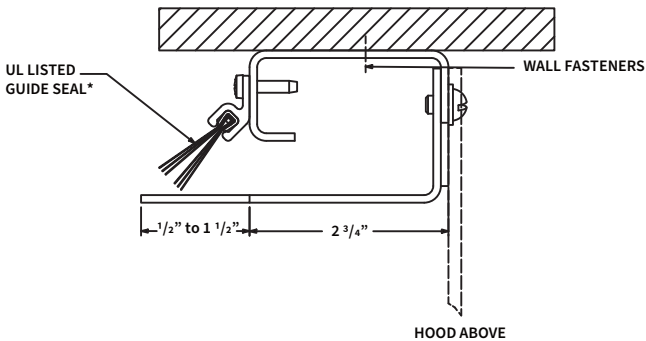
### 3" SHAFT BETWEEN JAMBS

Guides are mounted to the inside of the jamb.



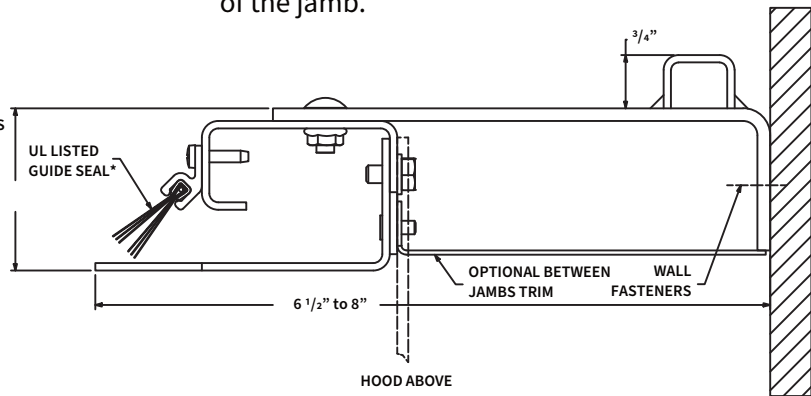
### 4" SHAFT FACE OF WALL

Guides are mounted to the interior or exterior side of the wall.



### 4" SHAFT BETWEEN JAMBS

Guides are mounted to the inside of the jamb.



\*The UL listed guide seal is standard on model ERC11(SmokeShield®).

The details and dimensions on this sheet are provided as a rough guide for planning purposes. Project specific details and dimensions are available by generating drawings from our website: [www.cornelliron.com/drawings](http://www.cornelliron.com/drawings)

## CUSTOM-DESIGNED SOLUTIONS

Our experienced Architectural Design Support Team can customize our products to fit your specific application.

 [architecturaldoorhelp.com](http://architecturaldoorhelp.com)

800.233.8366 | [cornelliron.com](http://cornelliron.com)

CornellCookson, Inc. is an ISO 9001:2015 registered company

1.2024

**CORNELL**  
Innovative door solutions.™