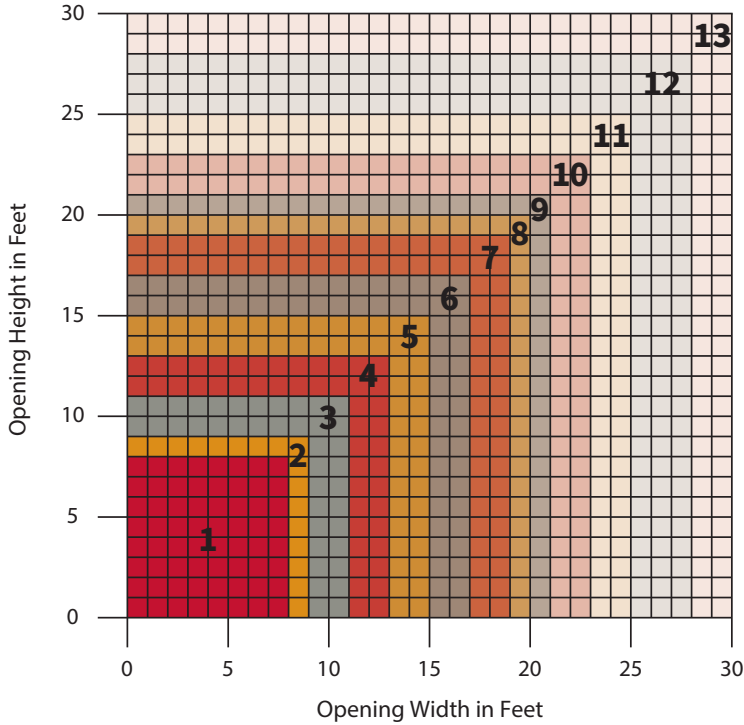


# THERMISER

Model ESD20

## MEASURE THE WIDTH AND HEIGHT OF THE OPENING

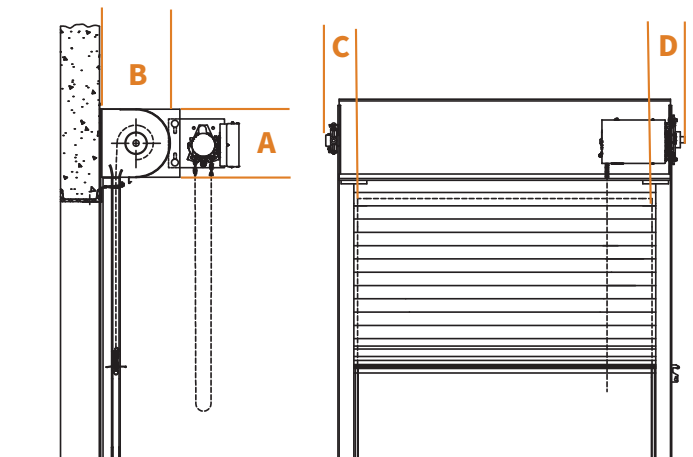
### DOOR SIZE AND AREA



### COMPONENT DIMENSIONS

Reference the zone number to view component dimensions for motorized doors.

Zone	A	B	C	D
1	17	19	5	9
2	18	20	5	9
3	19	21	5	9
4	20	22	7	9
5	21	23	7	11
6	22	24	7	11
7	23	25	7	11
8	24	26	7	11
9	25	27	7	11
10	26	28	7	11
11	27	29	7	11
12	29	31	7	11
13	31	33	7	11



The dimensions featured on this sheet are provided as a guide. Please visit our website at [www.cooksondoor.com/drawings](http://www.cooksondoor.com/drawings) to generate drawings on demand with exact dimensions.

The Sound Transmission Class (STC) rating is up to 18 for the entire assembly. \*If an STC of 32 is desired, additional options are required. Please contact the factory for details. All configurations are evaluated per ASTM E90, based on testing a complete, operable assembly.

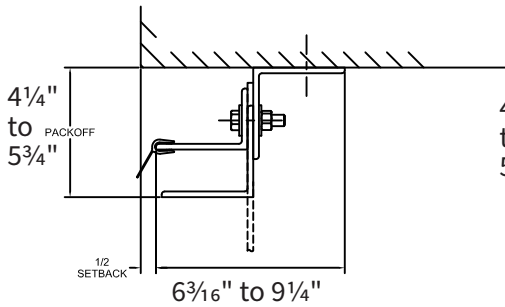
Gauge	STC Rating
18/24	17
24/24	18
18/20	32*

# INSULATED ROLLING DOOR **THERMISER® Model ESD20**

## GUIDE CONSTRUCTION OPTIONS

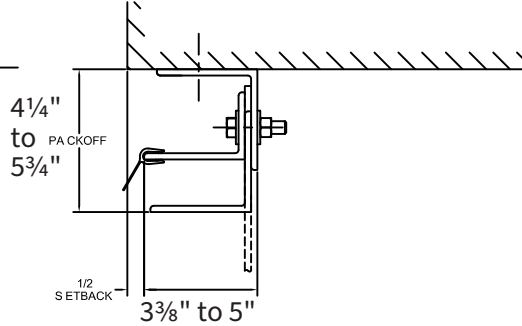
### FACE OF WALL Z

Typically used with masonry wall construction, guides are mounted to the interior side of the wall.



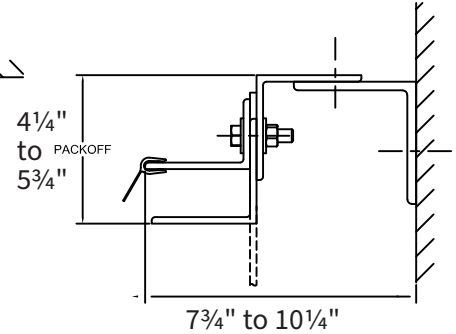
### FACE OF WALL E

Typically used with steel jambs, guides are mounted to the interior side of the wall.



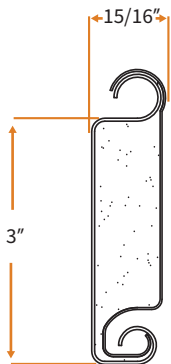
### BETWEEN JAMBS

Used when side clearance is minimal, guides are mounted to the inside of the jamb.

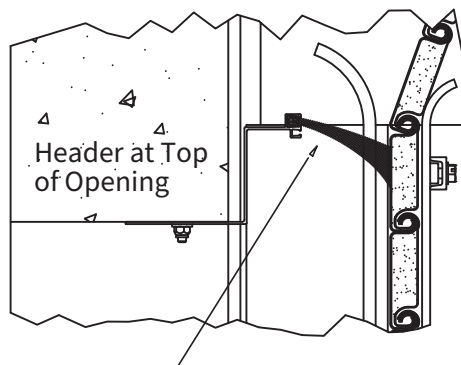


## CURTAIN DESIGN

Insulated Slat



## LINTEL SEAL BRUSH



Single Lintel Seal Brush Contacting the Door Curtain

R Value of 8.0

U Value of .125

Calculated using the  
ASHRAE Handbook of  
Fundamentals

The dimensions featured on this sheet are provided as a guide. Please visit our website at [www.cooksondoor.com/drawings](http://www.cooksondoor.com/drawings) to generate drawings on demand with exact dimensions.

## CUSTOM-DESIGNED SOLUTIONS

Our experienced Architectural Design Support Team can customize our products to fit your specific application.

Call 800.233.8366 ext. 4551 • [architecturaldesignsupport@cornellcookson.com](mailto:architecturaldesignsupport@cornellcookson.com)

800.294.4358 | [cooksondoor.com](http://cooksondoor.com)

CornellCookson, Inc. is an ISO 9001:2015 registered company  
11.2021

Preferred door solutions.  
**COOKSON**