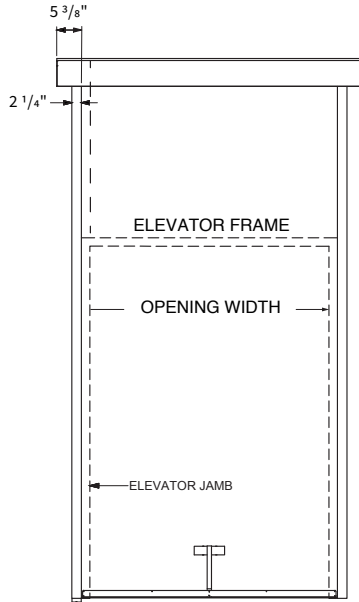
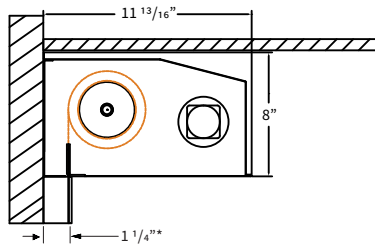


SMOKESHIELD® ELEVATOR

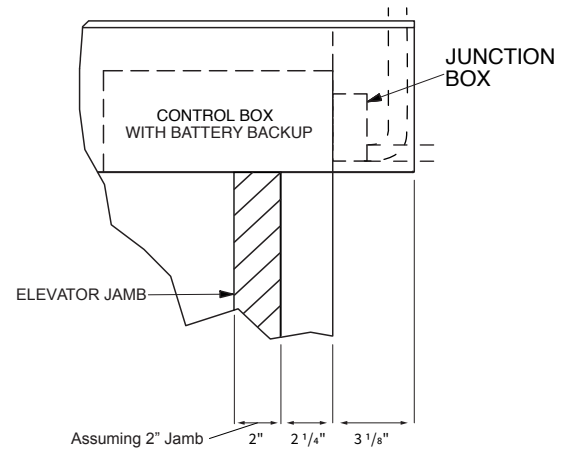
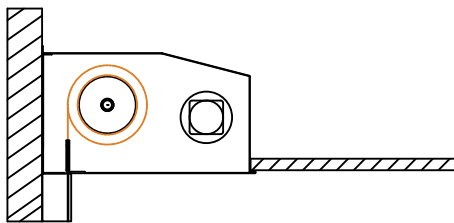
Model ERF10



BELOW CEILING



FLUSH WITH CEILING



*If a packoff is needed for installation, this dimension will increase.

MAX SIZES

WIDTH - 12 FT
HEIGHT - 12 FT

Assumes average Elevator jamb width of 2"

Complies with:

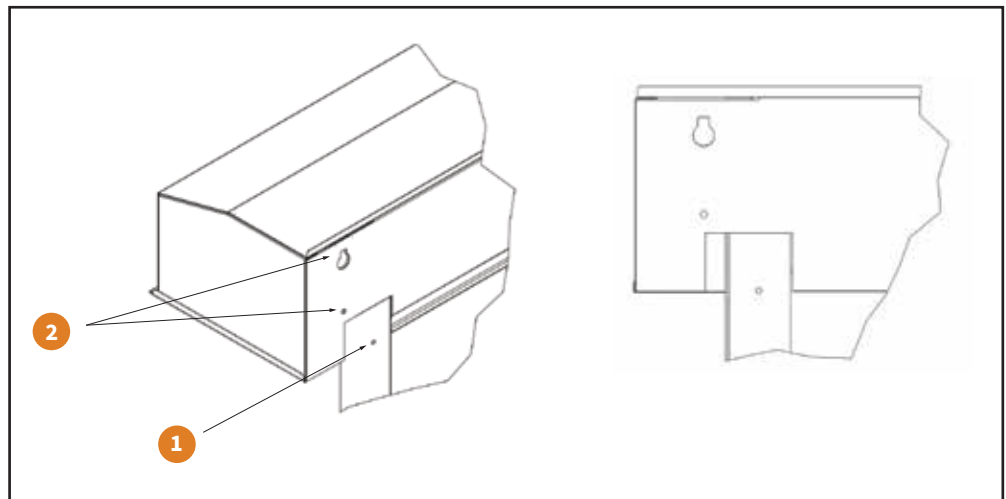
- ▶ IBC 2003, 2006, 2009, 2012, 2015, 2018
- ▶ ICC-ES Report AC - 77

Listed:

- ▶ UL 1784
- ▶ UL 325
- ▶ UL 864
- ▶ ASTM E84

STRUCTURAL INFO

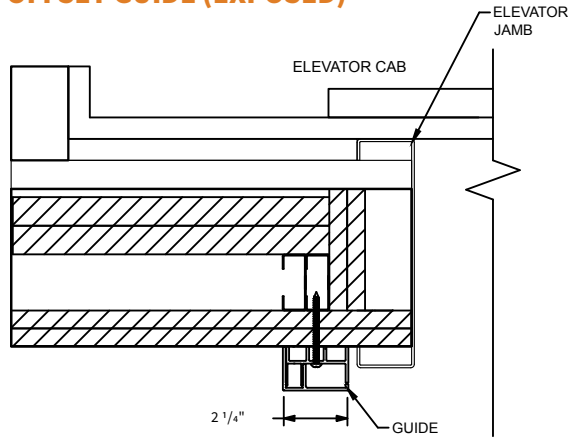
1. Vertical jambs support the weight of the headbox assembly containing the barrel, curtain, motor and controller.
2. Headbox attached to wall at these 2 points.



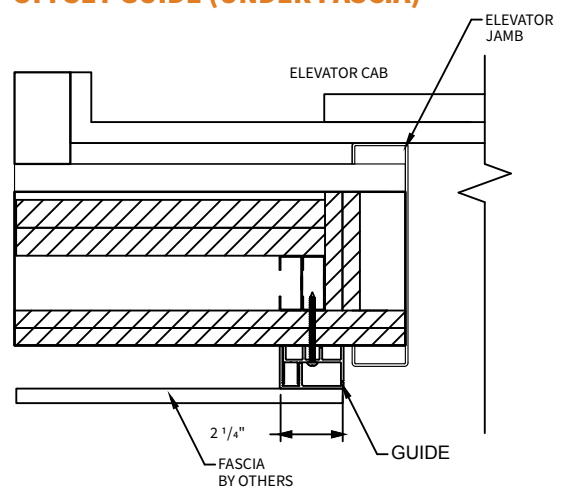
NOTE: This design requires back to back studs adjacent to vertical elevator jambs

STANDARD GUIDE OPTIONS

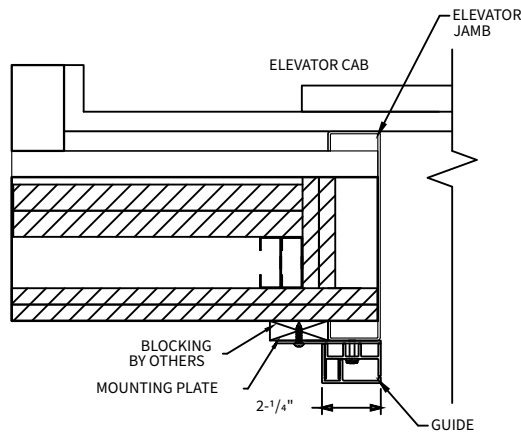
OFFSET GUIDE (EXPOSED)



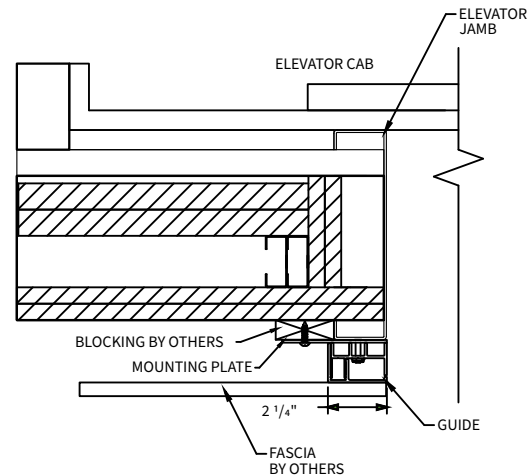
OFFSET GUIDE (UNDER FASCIA)



OVERFRAME (EXPOSED)



OVERFRAME (UNDER FASCIA)



Please Note: Curtains exceeding 70" may require vertical seaming.

CUSTOM-DESIGNED SOLUTIONS

Our experienced Architectural Design Support Team can customize our products to fit your specific application. Call 800.233.8366 ext. 4551 • architecturaldesignsupport@cornellcookson.com