

OPERATIONAL WIND LOADED DOOR

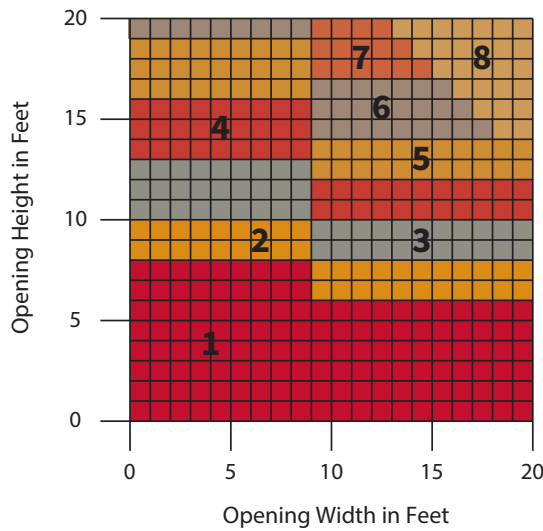
WIND-MASTER® SERVICE DOOR

Model ESD10W

MEASURE THE WIDTH AND HEIGHT OF THE DOOR OPENING

Wind-Master Service Doors meet an operational wind load of 20 PSF.

DOOR SIZE AND AREA



Dimensions provided are for a steel curtain, dimensions will differ for this model with a stainless steel curtain.

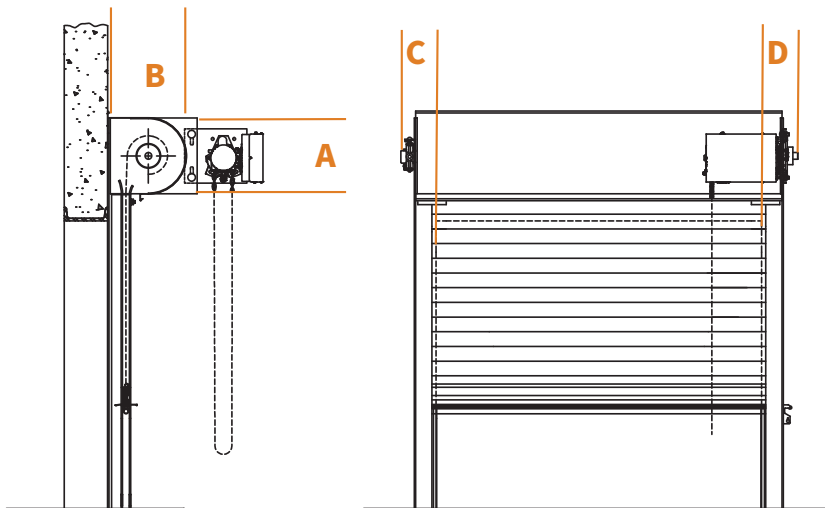
COMPONENT DIMENSIONS

Reference the zone number to view component dimensions for motorized doors.

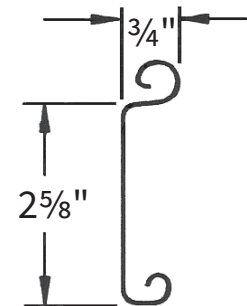
| Zone | A | B | C | D |
|------|----|----|----|----|
| 1 | 14 | 16 | 11 | 9 |
| 2 | 15 | 17 | 11 | 9 |
| 3 | 16 | 18 | 11 | 9 |
| 4 | 17 | 19 | 11 | 9 |
| 5 | 18 | 20 | 11 | 9 |
| 6 | 19 | 21 | 11 | 9 |
| 7 | 20 | 22 | 12 | 10 |
| 8 | 21 | 23 | 12 | 10 |

Dimensions in Inches

The dimensions featured on this sheet are provided as a guide. Please visit our website at www.cooksondoor.com/drawings to generate drawings on demand with exact dimensions.



CURTAIN SLAT DESIGN



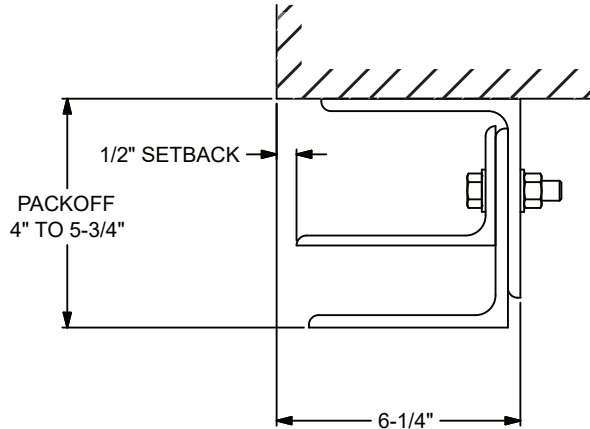
OPERATIONAL WIND LOADED **WIND-MASTER SERVICE DOOR Model ESD10W**

GUIDE CONSTRUCTION OPTIONS

FACE OF WALL

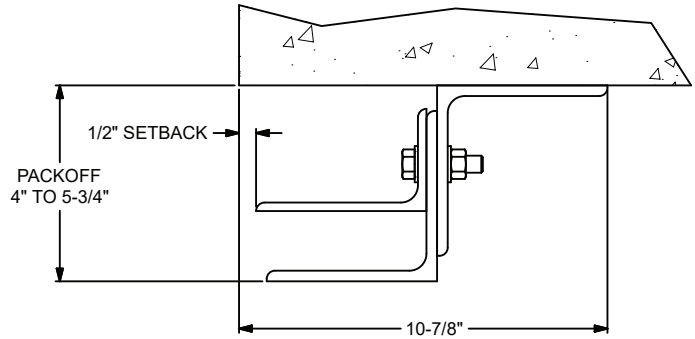
E GUIDE

Typically used with steel jamb

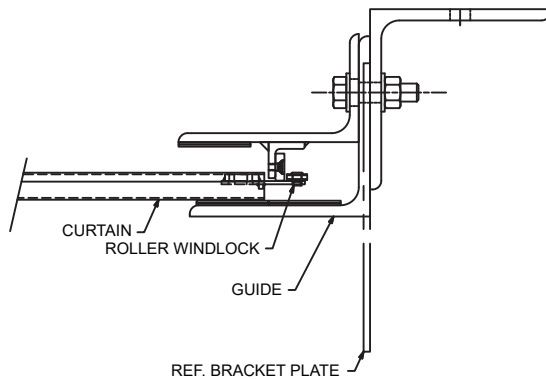


Z GUIDE

Typically used with masonry wall construction



ROLLER WIND-LOCK IN GUIDE



The details and dimensions on this sheet are provided as a rough guide for planning purposes. Project specific details and dimensions are available by generating drawings from our website: www.cornelliron.com/drawings

CUSTOM-DESIGNED SOLUTIONS

Our experienced Architectural Design Support Team can customize our products to fit your specific application.

☎ 877.537.4567 ✉ arch@cornellcookson.com

800.294.4358 | cooksondoor.com

CornellCookson, LLC is an ISO 9001:2015 registered company
1.2025

Preferred door solutions.
COOKSON