

HIGH PERFORMANCE LINE

EXTREME[®] MICROCOIL[®] GRILLE

Models EPG324C & EPG324CB



COMPACT GRILLE WITH PATENTED INTELLIGENT OPERATION

MAXIMIZE YOUR CLEAR OPENING

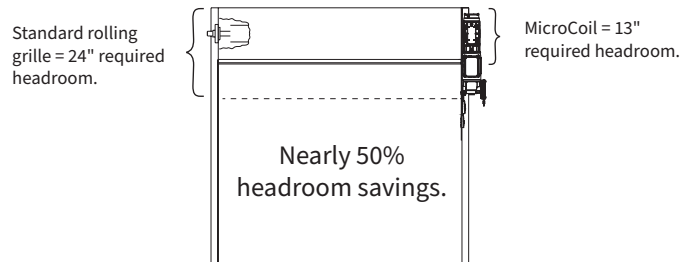
The Extreme High Performance MicroCoil Grille - 500K Cycles allows you to maximize your clear opening by reducing the coil size. A smaller coil means that less headroom is required. The Extreme MicroCoil Grille requires nearly 50% less headroom when compared to other high-cycle grilles on the market.

SMOOTH HIGH-SPEED OPERATION

The compact operator features a variable-frequency drive that ensures a soft start and stop – reducing wear and tear on both the grille and the operator. The Extreme MicroCoil Grille quietly operates at speeds of up to 24 inches per second. In addition, the operator's direct drive design means there's no sprocket and chain to wear out or replace. With flexibility in mind, the 300 series grille is compatible with a 120V service (which requires a transformer, provided with an upgrade).

ENGINEERED FOR LONGEVITY

To ensure maximum uptime, the Extreme MicroCoil Grille has a springless design that requires no maintenance, other than routine checks, and no replacement parts for up to 500K cycles. It accepts virtually all activation systems and features a 2-year operator warranty and a 2-year/500,000 cycle component warranty.



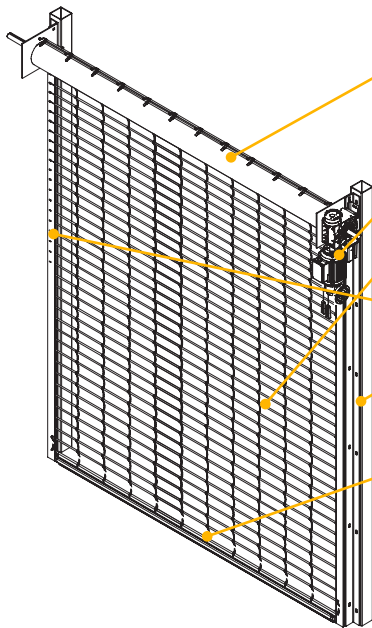
800.233.8366 | cornelliron.com

CornellCookson, LLC. is an ISO 9001:2015 registered company
1.2025

EXTREME SERIES

CORNELL
Innovative door solutions.™

STANDARD COMPONENT MATERIALS AND FINISHES



SPRINGLESS SHAFT - Steel pipe. Design reduces maintenance requirements and facilitate cycle capacity.

MOTOR - Compact, direct drive operator with no roller chains or sprockets.

CURTAIN - Self-stacking/nesting links in mill finish aluminum, $\frac{5}{16}$ " aluminum rods in mill finish spaced 2.8"-3.9". Aluminum tube spacers on every rod. Links are always made of 304 stainless steel and can be replaced individually or in sections if the grille gets damaged. Grilles are available for opening sizes up to 26' wide x 14' high in aluminum.

GUIDES - Extruded aluminum in mill finish with self-lubricating anti-wear strips to greatly reduce friction and curtain wear. Includes a fully replaceable UHMW bellmouth.

BOTTOM BAR - Compact extruded aluminum.

UNIQUE FEATURES

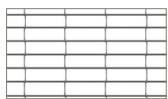
INTELLIGENT COMMUNICATION - The Apex Pro SmartController™ (NEMA 4X) features plug and play connections to operator and standard sensors to reduce installation time. Its LCD screen provides step-by-step instructions for door commissioning, electronic limit setting, and status/error messaging in a compact control panel. It is also set up to easily accept virtually all activation and safety issues.

MONITORED PROTECTION, EVEN AT HIGH SPEEDS - UL 325-2010 (NEMA 4X) compliant photo eye sensors allow for momentary contact operation - useful in parking garages and other high-use openings. Interruption of the photo eye beam before the door fully closes causes the door to immediately halt downward travel and reverse direction to return to the fully open position.

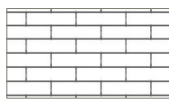
SAFETYGARD LIGHT CURTAIN TECHNOLOGY - The 6' tall light curtain is installed within the guide and blends into the guide construction with trim. If the grille is cycling and an object passes through the curtain beams, the door will immediately halt downward travel and reverse direction to return to the open position.

A CHOICE OF CURTAIN PATTERNS

Two different curtain designs provide both visibility and ventilation.



Straight



Brick

OPERATION AND STRUCTURAL REQUIREMENTS

Motor operation is required.

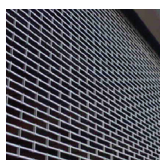
This product is supported by a guide assembly attached to the jamb construction or structural tubes attached to either wall or overhead construction. No additional header support is required unless hood supports are mandated.

Windload Options

- ▶ Static - up to 40 psf
- ▶ Operational - up to 20 psf

OPTIONAL MATERIALS AND FINISHES

- ▶ Aluminum in clear anodized finish
- ▶ Stainless steel 300 series in #4 finish
- ▶ SpectraShield® powder coating in more than 180 colors (not available on curtains)
- ▶ Hoods available as an option. Galvanized steel with exclusive GalvaNex™ polyester enamel finish in gray or SpectraShield® powder coating in more than 180 colors; aluminum in mill, clear and Dark Bronze Anodized Finish and Black Anodized Finish; or 300 series stainless steel with #4 finish by a larger opening width.



CUSTOM-DESIGNED SOLUTIONS

Contact our experienced Architectural Design Support Team for help in customizing our products to fit your specific application.

 www.architectdoorhelp.com